

DATA SHEET

OLS010: Phototransistor Hermetic Surface Mount Optocoupler

Features

- Miniature hermetic surface mount package
- High current transfer ratio (CTR) guaranteed over $-55\text{ }^{\circ}\text{C}$ to $+125\text{ }^{\circ}\text{C}$ ambient temperature range
- 1000 V_{DC} electrical isolation
- High reliability screening is available

Description

The OLS010 is specifically designed for high reliability applications that require optical isolation with a high CTR and low saturation V_{CE}. Each optocoupler consists of an LED and N-P-N silicon phototransistor that is electrically isolated, but optically coupled inside a hermetic, four-pin Leadless Chip Carrier (LCC) package.

Electrical parameters are similar to the JEDEC registered 4N49U optocoupler. The OLS010 has 100 percent high reliability screened parts available.

The device mounting for the OLS010 is achieved with reflow soldering or conductive epoxies.

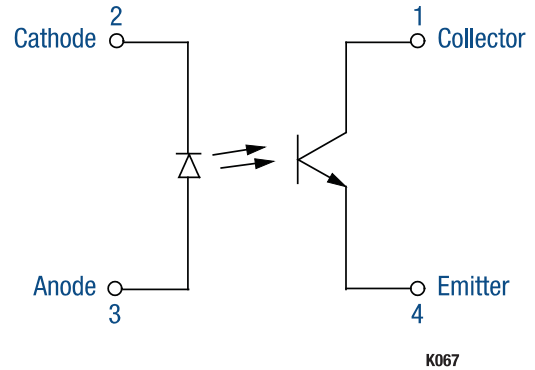


Figure 1. OLS010 Block Diagram

A functional block diagram of the OLS010 is shown in Figure 1. The absolute maximum ratings of the OLS010 are provided in Table 1. Electrical specifications are provided in Table 2.

Typical performance characteristics of the OLS010 are illustrated in Figures 2 through 4. A typical switching test circuit is shown in Figure 5 and package dimensions for the OLS010 are provided in Figure 6.

Table 1. OLS010 Absolute Maximum Ratings (Note 1)

Parameter	Symbol	Minimum	Maximum	Units
<i>Coupled</i>				
Input to output isolation voltage (Note 2)	V _{DC}	-1000	+1000	V
Storage temperature range	T _{STG}	-65	+150	°C
Operating temperature range	T _A	-55	+125	°C
Soldering temperature (heated collet, 5 seconds)			260	°C
Soldering temperature (vapor phase reflow, 30 seconds)			215	°C
<i>Input Diode</i>				
Average input current	I _{DD}		40	mA
Peak forward current (≤1 ms duration)	I _F		1	A
Reverse voltage	V _R		2	V
Power dissipation (Note 3)	P _D		60	mW
<i>Output Detector</i>				
Collector to emitter voltage	V _{CE}		60	V
Emitter to collector voltage	V _{EC}		5	V
Continuous collector current	I _{CC}		50	mA
Power dissipation (Note 4)	P _D		300	mW

Note 1: Exposure to maximum rating conditions for extended periods may reduce device reliability. There is no damage to device with only one parameter set at the limit and all other parameters set at or below their nominal value. Exceeding any of the limits listed here may result in permanent damage to the device.

Note 2: Measured between pins 1 and 4 shorted together, and pins 2 and 3 shorted together. T_A = 25 °C and duration = 1 s.

Note 3: Derate linearly at 1 mW/°C above 65 °C.

Note 4: Derate linearly at 3 mW/°C above 25 °C.

CAUTION: Although this device is designed to be as robust as possible, electrostatic discharge (ESD) can damage this device. This device must be protected at all times from ESD. Static charges may easily produce potentials of several kilovolts on the human body or equipment, which can discharge without detection. Industry-standard ESD precautions should be used at all times.

Table 2. OLS010 Electrical Specifications (Note 1)
($T_A = -55\text{ }^\circ\text{C}$ to $+125\text{ }^\circ\text{C}$, Unless Otherwise Noted)

Parameter	Symbol	Test Condition	Min	Max	Units
On-state collector current	I_{C_ON}	$I_F = 1\text{ mA}$, $V_{CE} = 5\text{ V}$	1		mA
		$I_F = 10\text{ mA}$, $V_{CE} = 5\text{ V}$	1		mA
Saturation voltage	V_{CE_SAT}	$I_F = 10.0\text{ mA}$, $I_C = 2.0\text{ mA}$		0.3	V
Breakdown voltage:					
Collector to emitter	BV_{CEO}	$I_{CE} = 1\text{ mA}$, $T_A = 25\text{ }^\circ\text{C}$	60		V
Emitter to collector	BV_{ECO}	$I_{EC} = 100\text{ }\mu\text{A}$, $T_A = 25\text{ }^\circ\text{C}$	5		V
Leakage current, collector to emitter	I_{CE_OFF}	$V_{CE} = 20\text{ V}$, $T_A = 25\text{ }^\circ\text{C}$		100	nA
		$V_{CE} = 20\text{ V}$, $T_A = 100\text{ }^\circ\text{C}$		100	μA
Input:					
Forward voltage	V_F	$I_F = +10.0\text{ mA}$, $T_A = -55\text{ }^\circ\text{C}$	+1.1	+1.8	V
		$I_F = 10.0\text{ mA}$, $T_A = 25\text{ }^\circ\text{C}$	0.9	1.6	V
		$I_F = 10.0\text{ mA}$, $T_A = 100\text{ }^\circ\text{C}$	0.7	1.3	V
Reverse current	I_R	$V_R = 2\text{ V}$		100	μA
Output resistance (Note 2)	R_{L_O}	$V_{L_O} = \pm 1000\text{ V}_{DC}$	10^{11}		Ω
Output capacitance (Note 2)	C_{L_O}	$V_{L_O} = 0\text{ V}$, $f = 1\text{ MHz}$		5	pF
Time:					
Rise (Note 3)	t_r	$V_{CC} = 10\text{ V}$, $R_L = 100\text{ }\Omega$		20	μs
Fall	t_f	$I_F = 10\text{ mA}$		20	μs

Note 1: Performance is guaranteed only under the conditions listed in the above table.

Note 2: Measured between pins 1 and 4 shorted together, and pins 2 and 3 shorted together. $T_A = 25\text{ }^\circ\text{C}$ and duration = 1 s.

Note 3: Value applies for $P_w \leq 1\text{ }\mu\text{s}$, $PRR \leq 300\text{ pps}$.

Typical Performance Characteristics

($T_A = -55\text{ }^\circ\text{C}$ to $+125\text{ }^\circ\text{C}$, Unless Otherwise Noted)

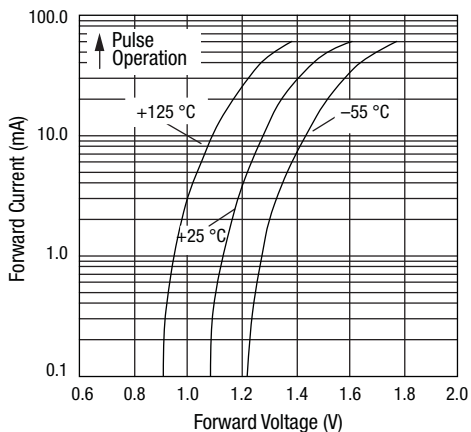


Figure 2. Forward Current vs Forward Voltage

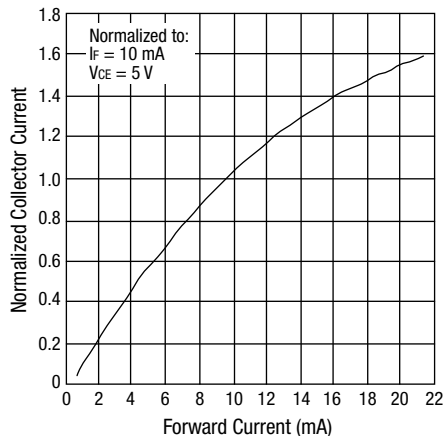


Figure 3. Normalized Collector Current vs Forward Current

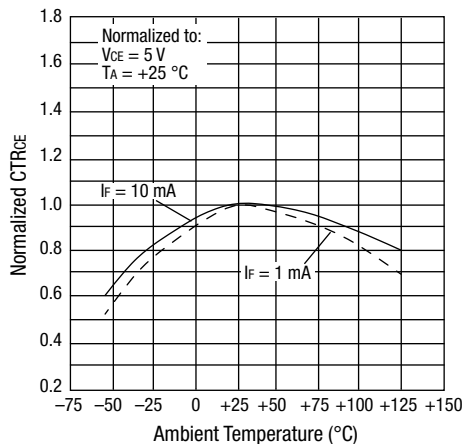


Figure 4. Normalized CTR_{CE} vs Temperature

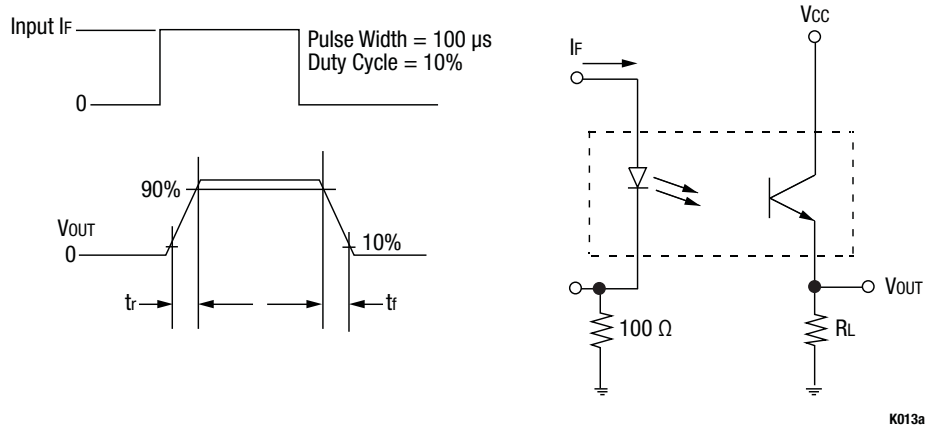


Figure 5. OLS010 Switching Test Circuit

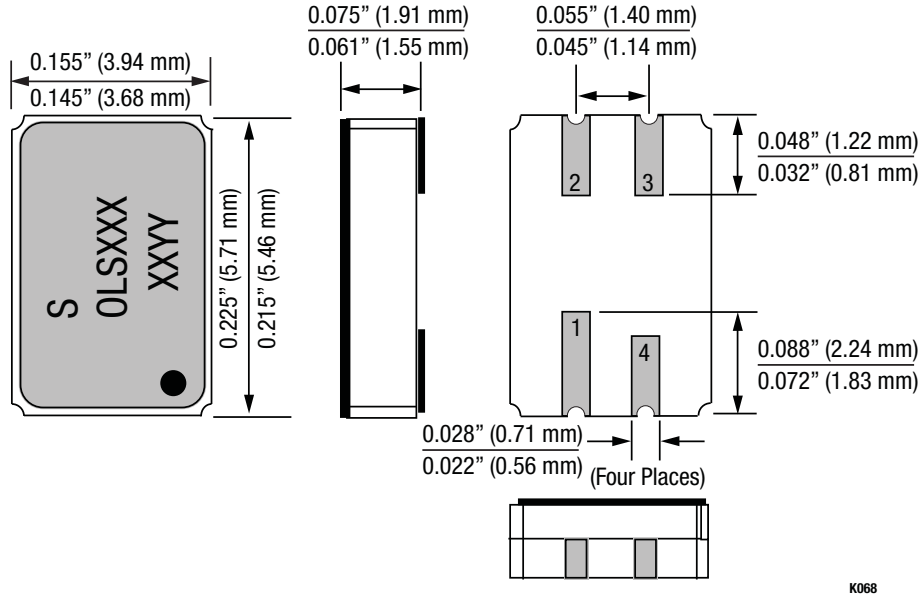


Figure 6. OLS010 Package Dimensions

Ordering Information

Model Name	Manufacturing Part Number
OLS010: Phototransistor Hermetic Surface Mount Optocoupler	OLS010

Copyright © 2012-2015, 2017 Isolink, Inc. All Rights Reserved.

Information in this document is provided in connection with Isolink, Inc. ("Isolink"), a wholly-owned subsidiary of Skyworks Solutions, Inc. These materials, including the information contained herein, are provided by Isolink as a service to its customers and may be used for informational purposes only by the customer. Isolink assumes no responsibility for errors or omissions in these materials or the information contained herein. Isolink may change its documentation, products, services, specifications or product descriptions at any time, without notice. Isolink makes no commitment to update the materials or information and shall have no responsibility whatsoever for conflicts, incompatibilities, or other difficulties arising from any future changes.

No license, whether express, implied, by estoppel or otherwise, is granted to any intellectual property rights by this document. Isolink assumes no liability for any materials, products or information provided hereunder, including the sale, distribution, reproduction or use of Isolink products, information or materials, except as may be provided in Isolink Terms and Conditions of Sale.

THE MATERIALS, PRODUCTS AND INFORMATION ARE PROVIDED "AS IS" WITHOUT WARRANTY OF ANY KIND, WHETHER EXPRESS, IMPLIED, STATUTORY, OR OTHERWISE, INCLUDING FITNESS FOR A PARTICULAR PURPOSE OR USE, MERCHANTABILITY, PERFORMANCE, QUALITY OR NON-INFRINGEMENT OF ANY INTELLECTUAL PROPERTY RIGHT; ALL SUCH WARRANTIES ARE HEREBY EXPRESSLY DISCLAIMED. ISOLINK DOES NOT WARRANT THE ACCURACY OR COMPLETENESS OF THE INFORMATION, TEXT, GRAPHICS OR OTHER ITEMS CONTAINED WITHIN THESE MATERIALS. ISOLINK SHALL NOT BE LIABLE FOR ANY DAMAGES, INCLUDING BUT NOT LIMITED TO ANY SPECIAL, INDIRECT, INCIDENTAL, STATUTORY, OR CONSEQUENTIAL DAMAGES, INCLUDING WITHOUT LIMITATION, LOST REVENUES OR LOST PROFITS THAT MAY RESULT FROM THE USE OF THE MATERIALS OR INFORMATION, WHETHER OR NOT THE RECIPIENT OF MATERIALS HAS BEEN ADVISED OF THE POSSIBILITY OF SUCH DAMAGE.

Isolink products are not intended for use in medical, lifesaving or life-sustaining applications, or other equipment in which the failure of the Isolink products could lead to personal injury, death, physical or environmental damage. Isolink customers using or selling Isolink products for use in such applications do so at their own risk and agree to fully indemnify Isolink for any damages resulting from such improper use or sale.

Customers are responsible for their products and applications using Isolink products, which may deviate from published specifications as a result of design defects, errors, or operation of products outside of published parameters or design specifications. Customers should include design and operating safeguards to minimize these and other risks. Isolink assumes no liability for applications assistance, customer product design, or damage to any equipment resulting from the use of Isolink products outside of stated published specifications or parameters.

Isolink is a trademark of Isolink Inc. in the United States and other countries. Skyworks and the Skyworks symbol are trademarks or registered trademarks of Skyworks Solutions, Inc., in the United States and other countries. Third-party brands and names are for identification purposes only, and are the property of their respective owners.