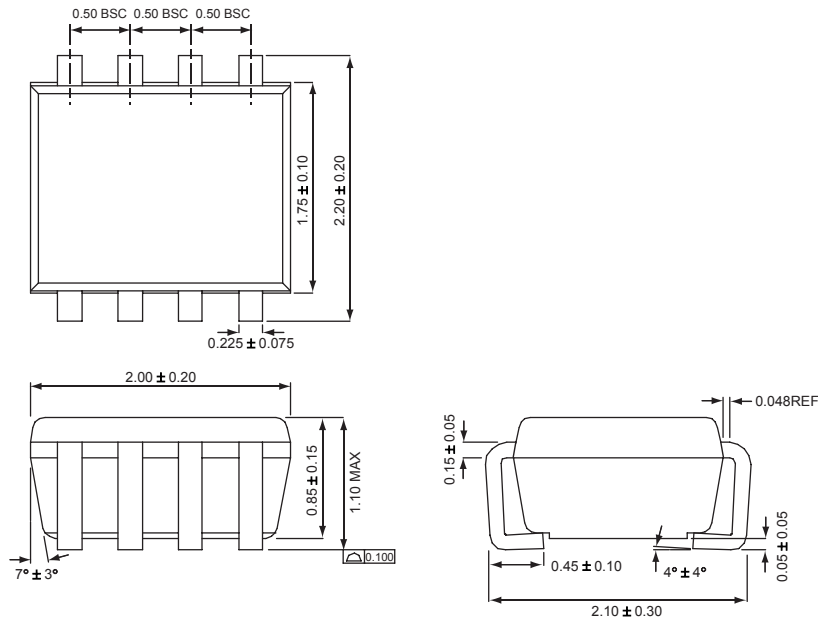


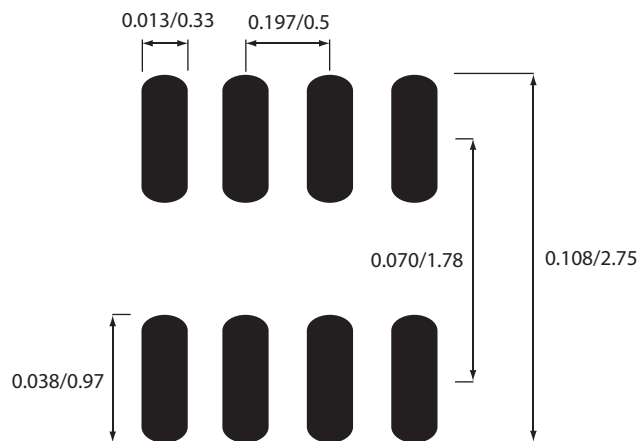


Part Dimensions



All dimensions in millimeters.

Landing Pattern



Units: Inches Millimeters