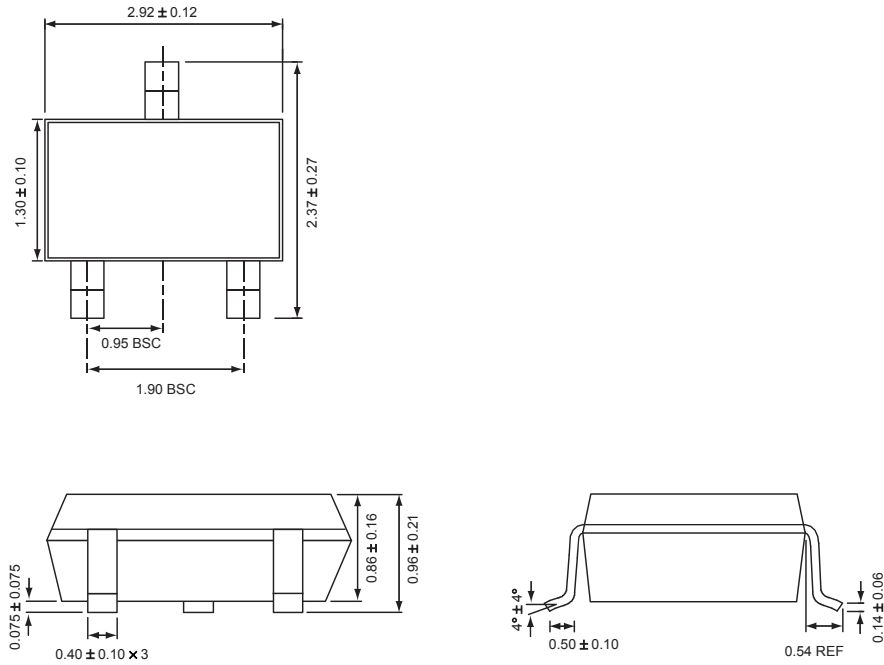
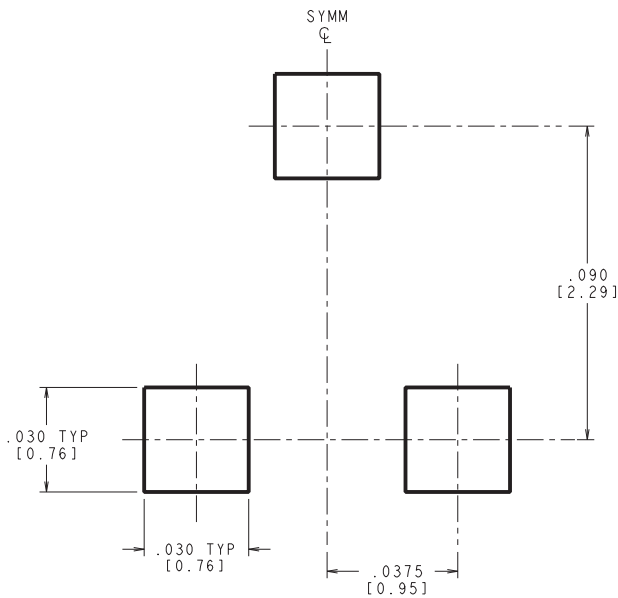


## Part Dimensions



All dimensions in millimeters.

## Landing Pattern



Units:  Inches  
 Millimeters